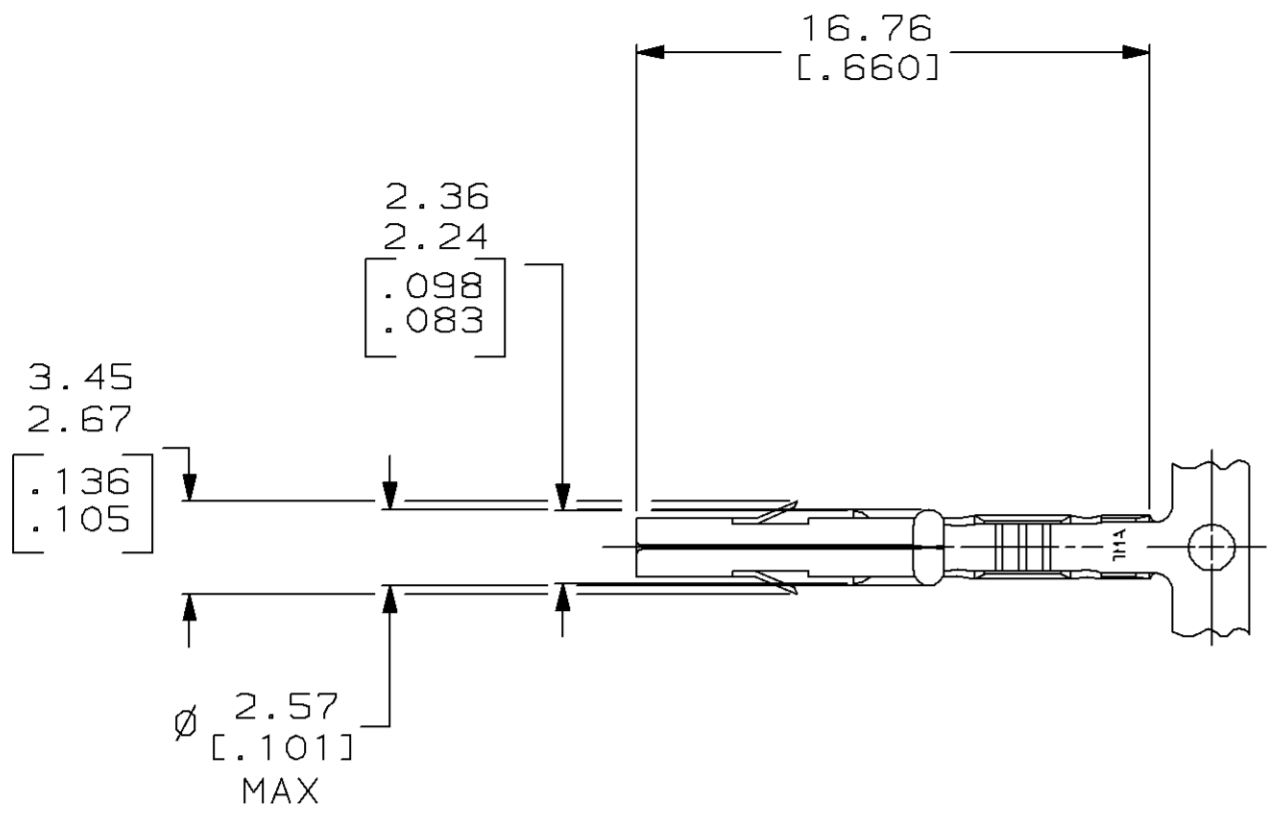
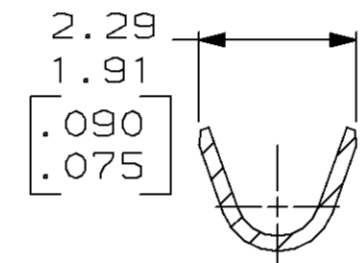
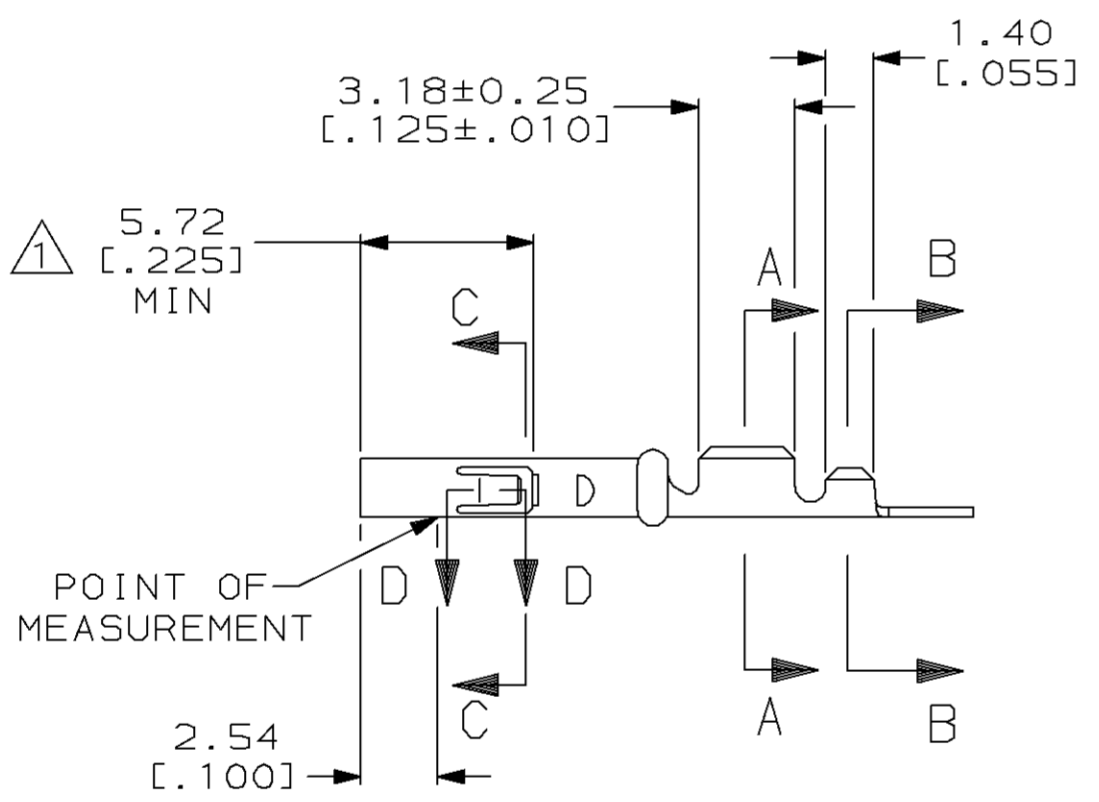


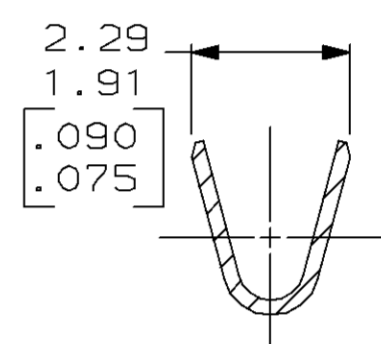
LOC		DIST		ZONE		LTR		REVISIONS		DATE	APPD
CM	53	P	F					0	RLSD PER PR CM 93-25	3-4-93	KS



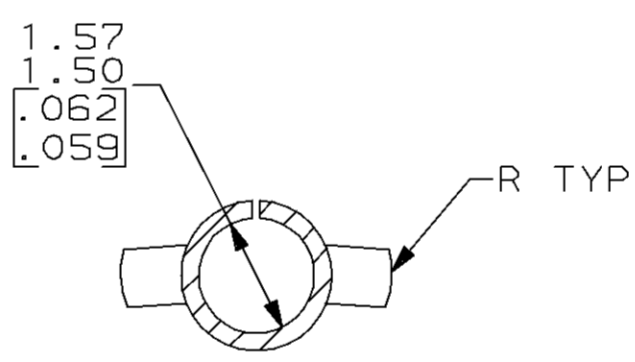
- 1. PLATED INTERNALLY WITH 0.00076 [.000030] GOLD, GOLD FLASH ON THE REMAINDER, OVER 0.00127 [.000050] NICKEL.
- 2. THIS CONTACT MATES WITH MR LIVE SPLIT PIN ONLY.
- 3. DIMENSIONS IN BRACKETS ARE IN INCHES.



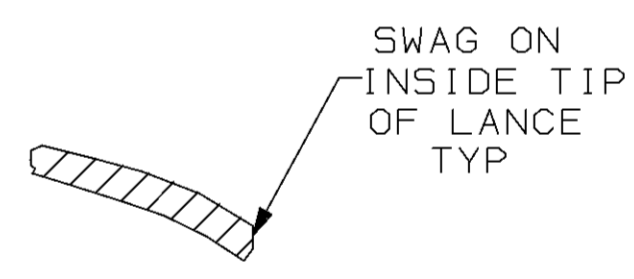
SECTION A-A
SCALE 10:1



SECTION B-B
SCALE 10:1



SECTION C-C
SCALE 10:1



SECTION D-D
SCALE 10:1

POINT OF MEASUREMENT

METRIC

THIS DRAWING IS A CONTROLLED DOCUMENT FOR AMP INCORPORATED. IT IS SUBJECT TO CHANGE AND THE CONTROLLING ENGINEERING ORGANIZATION SHOULD BE CONTACTED FOR THE LATEST REVISION.

FINISH	MATERIAL	PART NO
GOLD Δ	0.20 [.008] PH BRZ	794000-2
PRE-TIN	0.20 [.008] PH BRZ	794000-1

DO NOT SCALE PRINT. UNLESS SPECIFIED DIMENSIONS IN mm [INCHES] TOLERANCES ON : 2 PLC DEC ± 0.13 [.005] 3 PLC DEC ± - ANGLES ± -	DR 3-4-93 K. SALMON	AMP Incorporated Harrisburg, PA 17105-3608		
	CHK 3-4-93 R. SWING			NAME
	APPD 3-4-93 J. ANDREW			RECEPTACLE, MR
MATERIAL SEE TABLE	APPD 3-4-93 J. ANDREW	PRODUCT SPEC		
FINISH SEE TABLE	APPLICATION SPEC	SIZE	CAGE CODE	
		SCALE	DRAWING NO	
	WEIGHT -	4:1	00779	
			G=794000	
			SHEET 1 OF 1	

CUSTOMER DRAWING